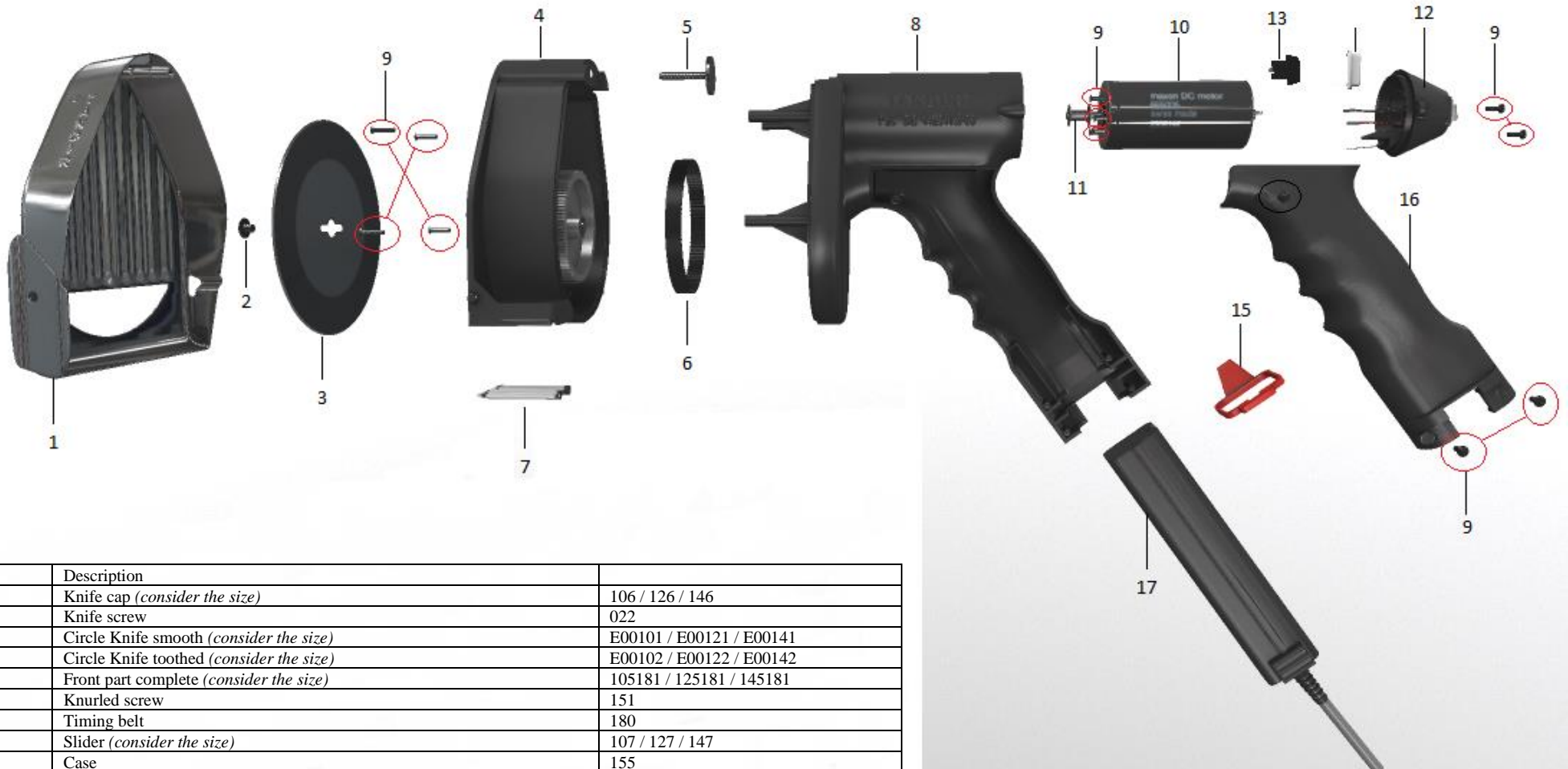


# TANDIR®



Position	Description	
1	Knife cap ( <i>consider the size</i> )	106 / 126 / 146
2	Knife screw	022
3	Circle Knife smooth ( <i>consider the size</i> )	E00101 / E00121 / E00141
3	Circle Knife toothed ( <i>consider the size</i> )	E00102 / E00122 / E00142
4	Front part complete ( <i>consider the size</i> )	105181 / 125181 / 145181
5	Knurled screw	151
6	Timing belt	180
7	Slider ( <i>consider the size</i> )	107 / 127 / 147
8	Case	155
9	Case screw set (4xFront part, 3xCase, 3xEngine, 2xSwitch)	159
10	Maxon engine	190
11	Timing pulley small (for engine)	185
12	Switch with housing (complete)	156
13	Switch (single)	024
14	Switch protection cap	027
15	Orange lock	158
16	Handle cover	157
17	Cableset	169

**COPYRIGHTED. PUBLICATION AND TRANSFER NOT ALLOWED.**

Ümit GmbH, TANDIR®, Kreuztor 3A, 38126 Braunschweig, Germany, mail@tandir.de, 00495312344780, www.tandir.de