

ENGLISH



Fuji Keizai (Labour shortage and Potential Demand & Consideration on Automated Robots) Results for 2022 Sales Quantity and Value for Sushi Making Robot

New Compact Sushi Machine

# SSF-CXA

Entry Model for Nigiri Sushi making machine with keeping the high quality and productivity.

SSF-CXA-CE



SSF-CXA



**\*Simple design and minimum parts number for easy operation and maintenance.**

**\*Traditional and perfect nigiri sushi shape by 2-steps rice gripping and forming mechanism.**

**\*The weight and hardness of nigiri sushi can be adjustable.**



# New Compact Sushi Machine SSF-CXA

## Features

- Simple operation by switching panel for "Start/Stop" operation, adjustment of sushi weight, and counter reset.
- Compact in design, and easy work to replenish a rice hopper with Shari (Rice).
- Reduction of the number of cleaning parts for easy daily work. Simple structure leads to sanitation, cleanness, easy assembling and disassembling.

## Specification

Model

SSF-CXA

SSF-CXA-CE (Applied to CE & UKCA Regulation)

Input

AC220-240V, 50/60Hz Single phase

Power Consumption

Max. 150W

Power Connection Cable

Length: 2m Plug: BF Type, CEE Type (selectable)

Capacity

2,000 pieces per hour

Sushi Size

Length 52x22(mm), 12 ~ 18g weight (with table unit: CXA-S10)

Length 55x24(mm), 18 ~ 20g weight (with table unit: CXA-A10/B10)

Hopper Capacity

Approx. 6kg of cooked rice

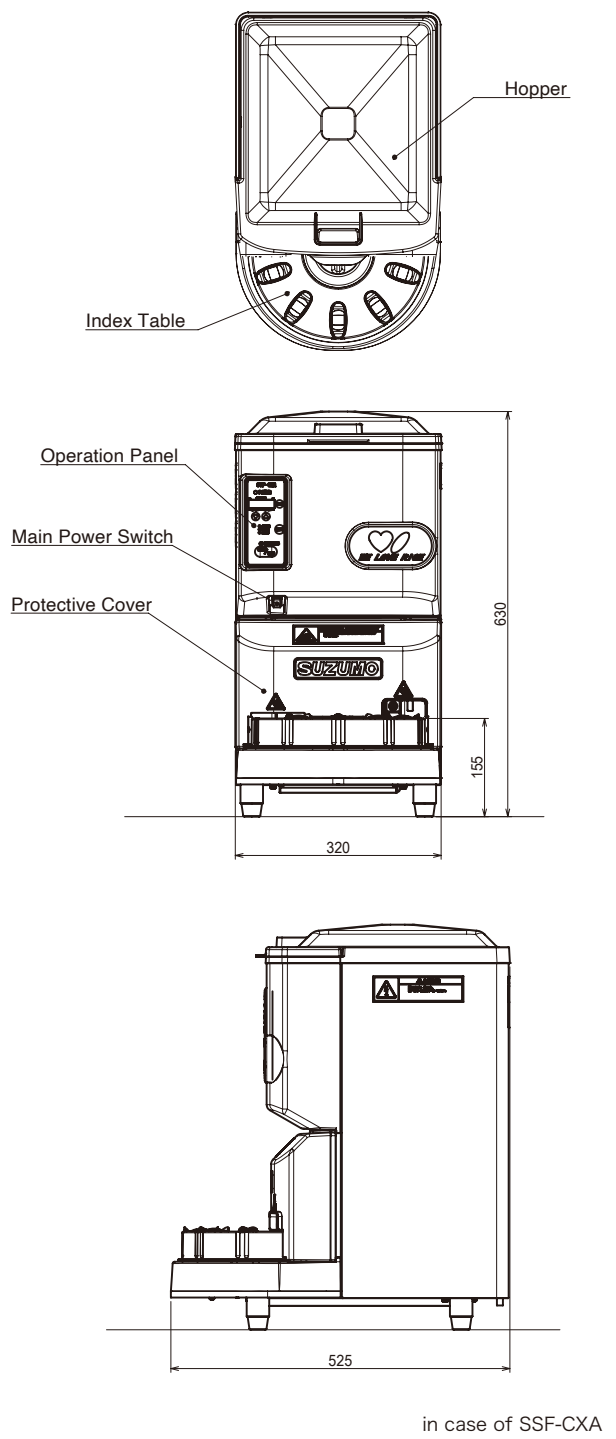
Machine Dimensions

320W x 520D x 630H (mm)

Machine Weight

35Kg

## Dimensions



\*Designs and specifications subject to change without notice.

### Suzumo Machinery Co., Ltd. Global Business Division

2-23-2, Toyotamakita, Nerima-ku, Tokyo 176-0012, Japan

Tel. +81 3-3993-1407 Fax. +81 3-3993-1756

e-mail overseas@suzumo.co.jp URL <https://www.suzumokikou.com>

< Contact in North America >

### Suzumo International Corporation

Head Office : 1815 W. 205th Street, Suite 101 Torrance, CA 90501 U.S.A.

Tel. +1 310-328-0400 Fax. +1 310-328-2700 e-mail sic@suzumokikou.com

East Office : 375 North Street, Unit K, Teterboro, NJ 07608 U.S.A.

Tel. +1 201-568-1900 e-mail sic@suzumokikou.com

< Contact in Singapore >

### Suzumo Singapore Corporation Pte. Ltd.

421 Tagore Industrial Avenue #04-11 Tagore 8, Singapore 787805

Tel. +65 6254-2080 Fax. +65 6254 2086 e-mail sales@suzumo-sg.com